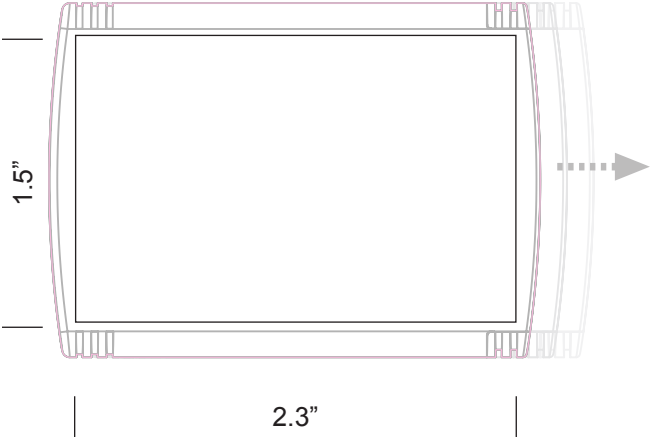


Lipcard

Printing area TOP

2.3" x 1.5"



Printing area BOTTOM

2.3" x 1.5"

